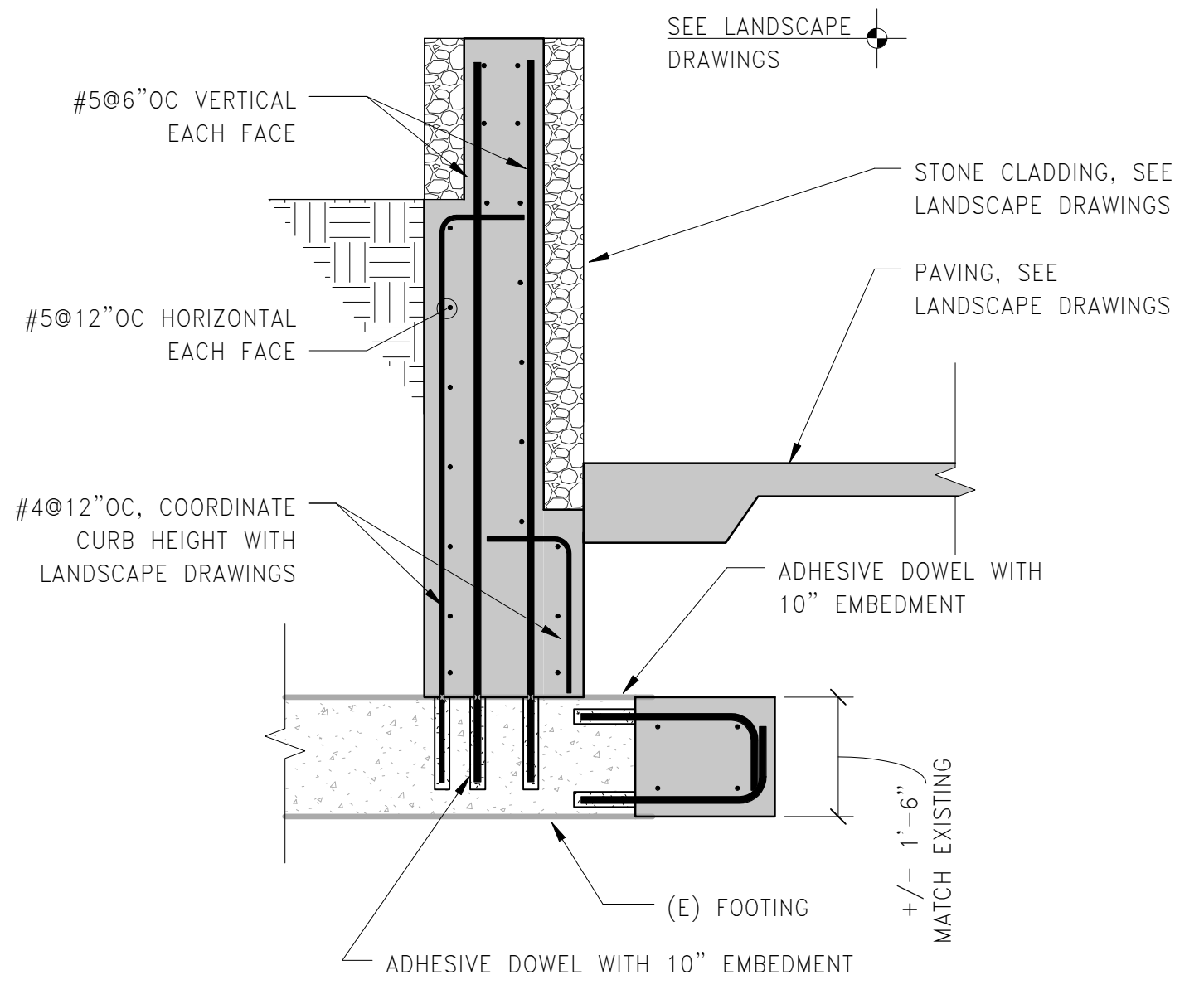
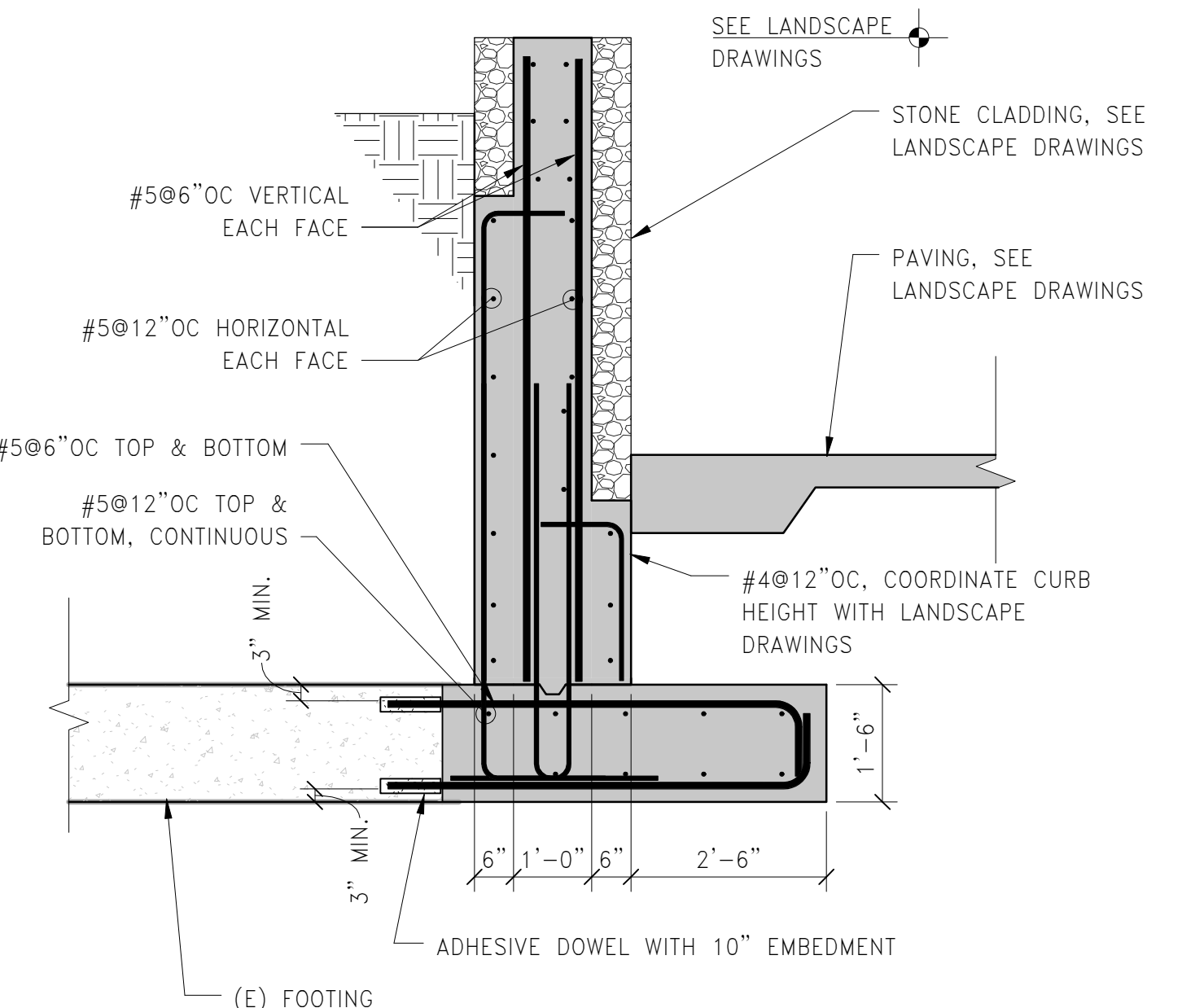


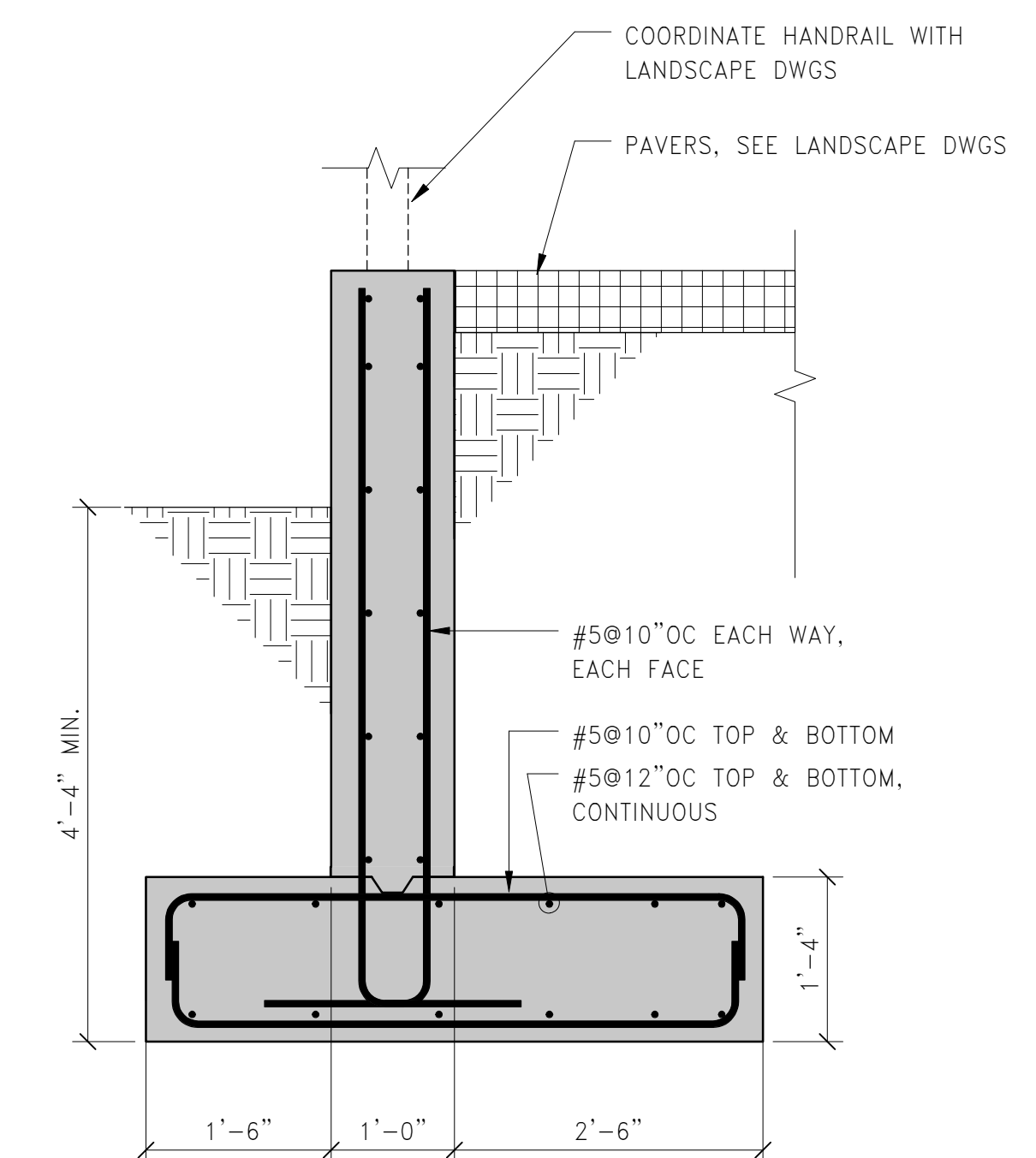
1 SECTION  
1/2" = 1'-0"



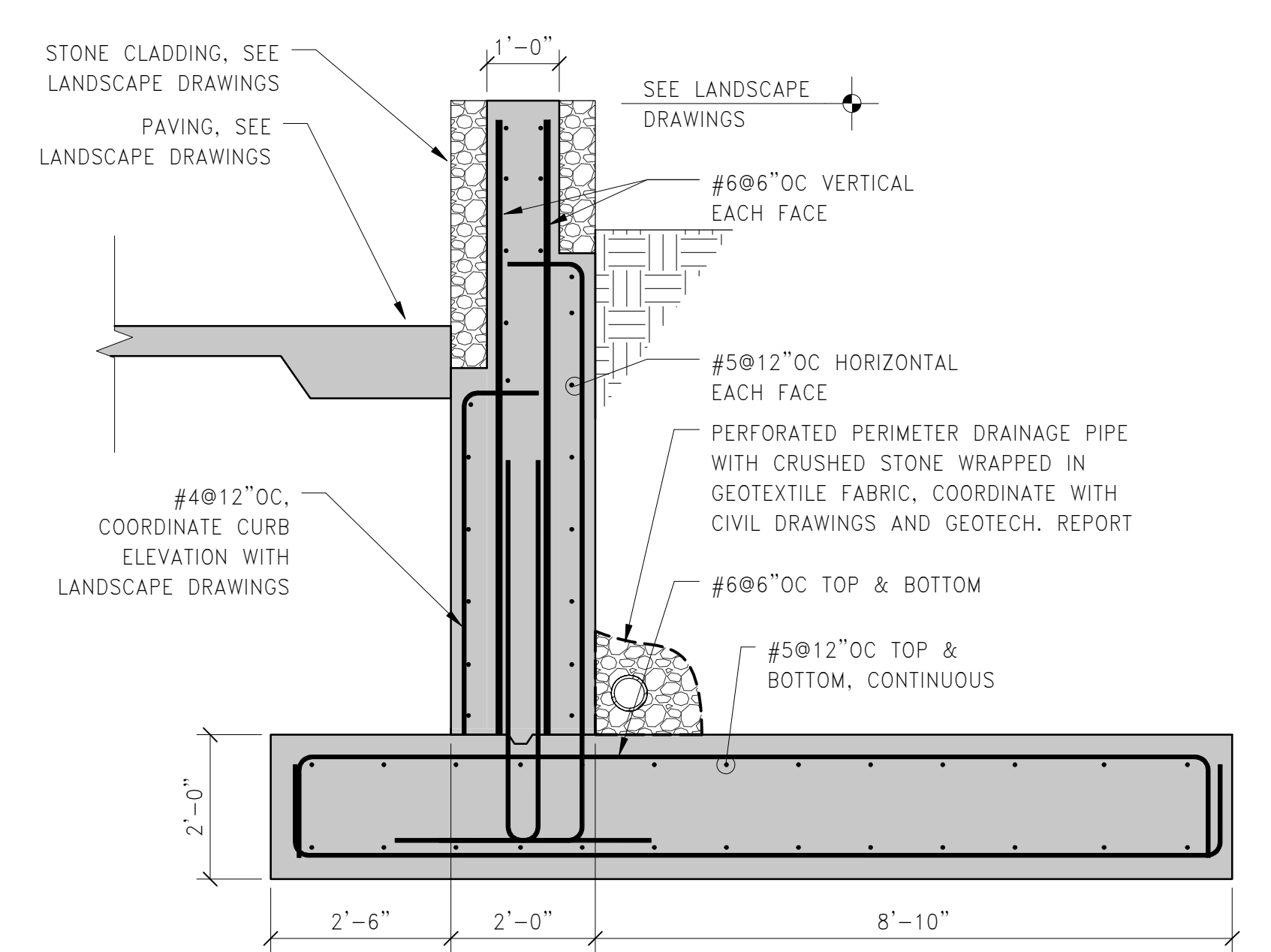
2 SECTION  
1/2" = 1'-0"



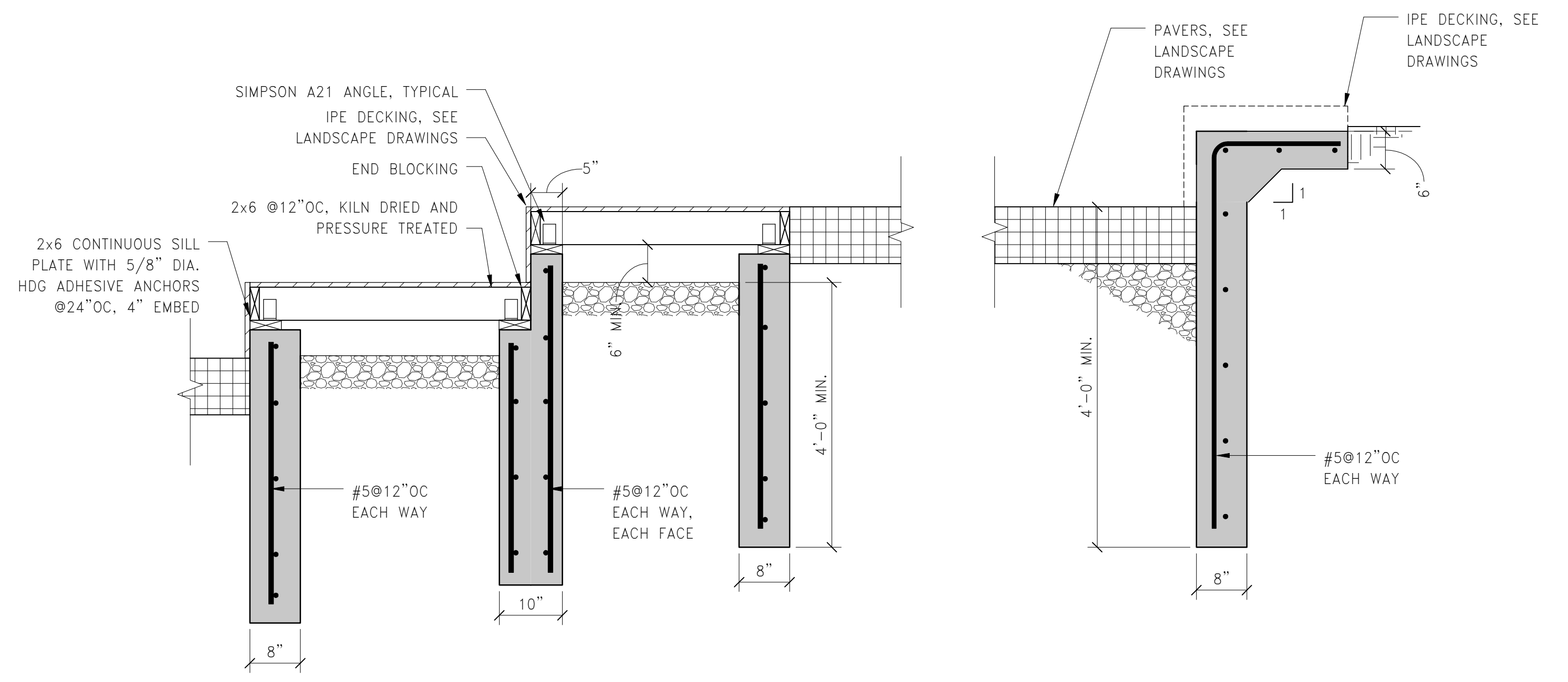
3 SECTION  
1/2" = 1'-0"



4 SECTION  
3/4" = 1'-0"



5 SECTION  
1/2" = 1'-0"



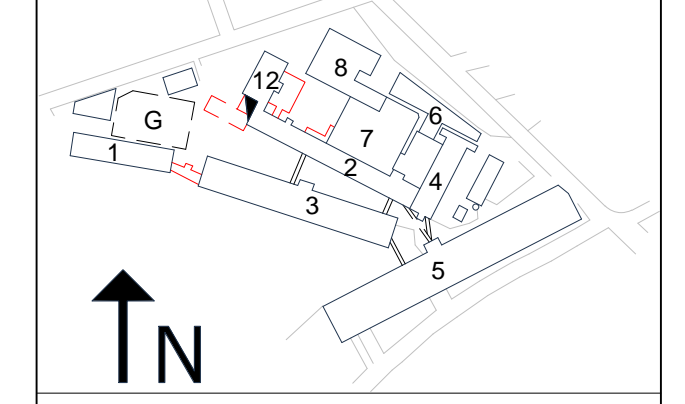
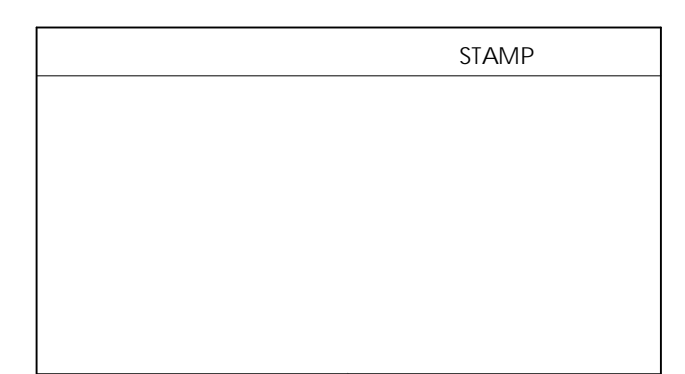
6 SECTION  
3/4" = 1'-0"

**MPA MARGULIES PERRUZZI ARCHITECTS**  
 308 Congress Street | Boston, MA 02201 | 617.482.2322 | www.mp-architects.com  
 Design for the way you work.

CLIENT INFORMATION  
**AS CLOCK TOWER**  
 OWNER, LLC c/o  
 SARACEN  
 PROPERTIES  
 MILL & MAIN  
 RENOVATION  
 PHASE 1  
 146 MAIN STREET  
 MAYNARD, MA 01754

CONSULTANT INFORMATION  
 MECHANICAL ENGINEERS  
**MAKIN ASSOCIATES**  
 1055 WASHINGTON ST #2  
 WINTHROP, MA 02151  
 617.964.5177  
 CIVIL ENGINEERS  
**WILSON ENGINEERING**  
 21 HAVEN AVENUE, 3RD FLOOR  
 BOSTON, MA 02108  
 617.538.0063  
 HARDWARE CONSULTANT  
**CAMPBELL-MCCABE, INC.**  
 1 LOCKWOOD ST  
 WALTHAM, MA 01794  
 781.899.8822  
 LANDSCAPE DESIGN  
**BROWN, RICHARDSON, & ROWE**  
 850 STATE ST, 3RD FLOOR  
 BOSTON, MA 02119  
 617.542.8852  
 LIGHTING CONSULTANT  
**SLADEN FENSTEIN INTEG.**  
 250 WASHINGTON AVE # 305  
 BOSTON, MA 02119  
 617.267.9500  
 GEOTECHNICAL CONSULTANT  
**HALEY & ALDRICH, INC.**  
 405 MEDFORD STREET, SUITE 2000  
 BOSTON, MA 02129  
 617.859.1591

REVISIONS		
NUMBER	DESCRIPTION	DATE



DATE: 10/19/2015  
 SCALE: As Indicated  
 DRAWN BY: MSS  
 PROJECT NUMBER: SAR15A.00  
 DRAWING TITLE  
**SECTIONS & DETAILS**

**2S-200**  
 DRAWING NUMBER