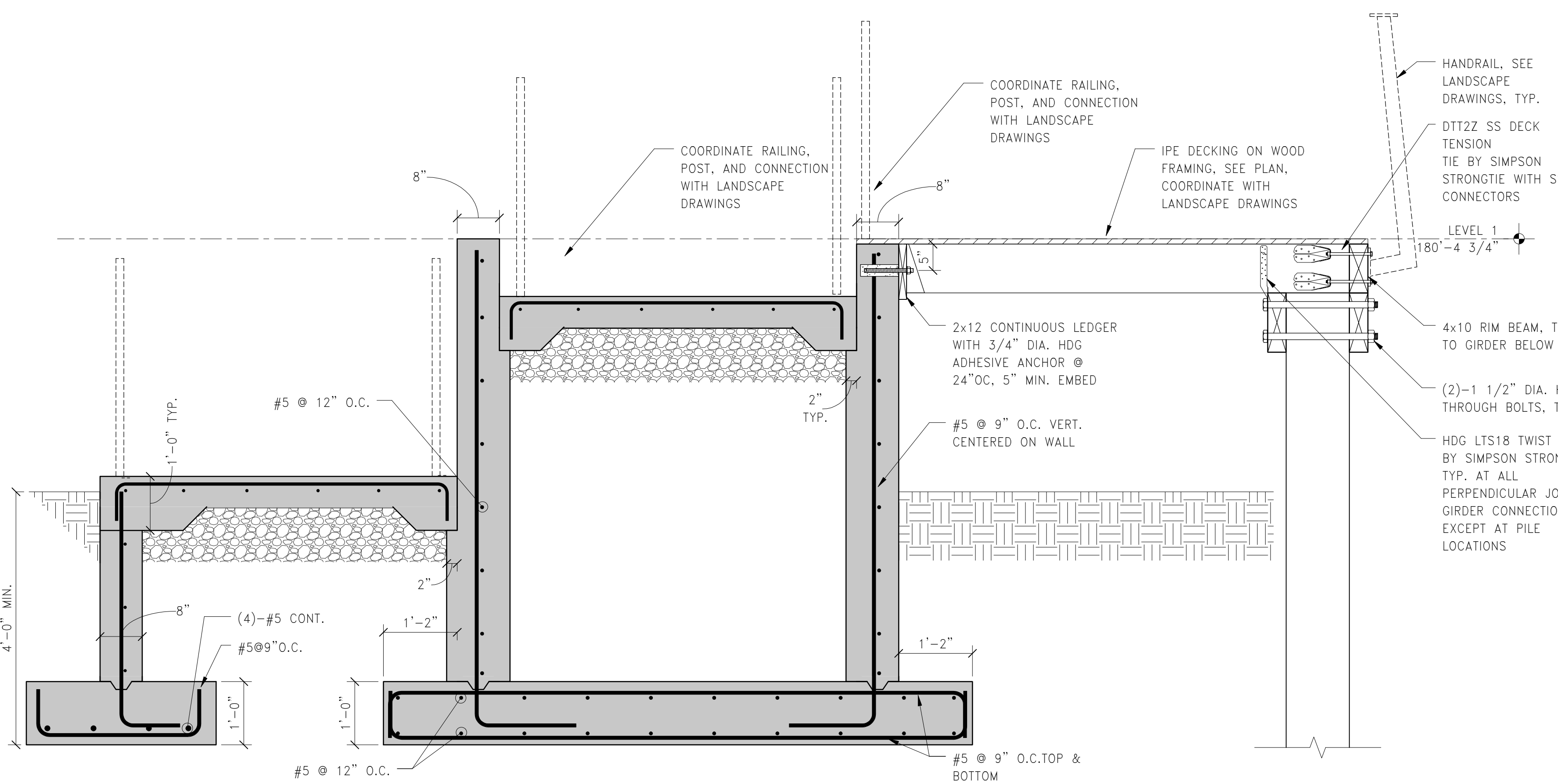
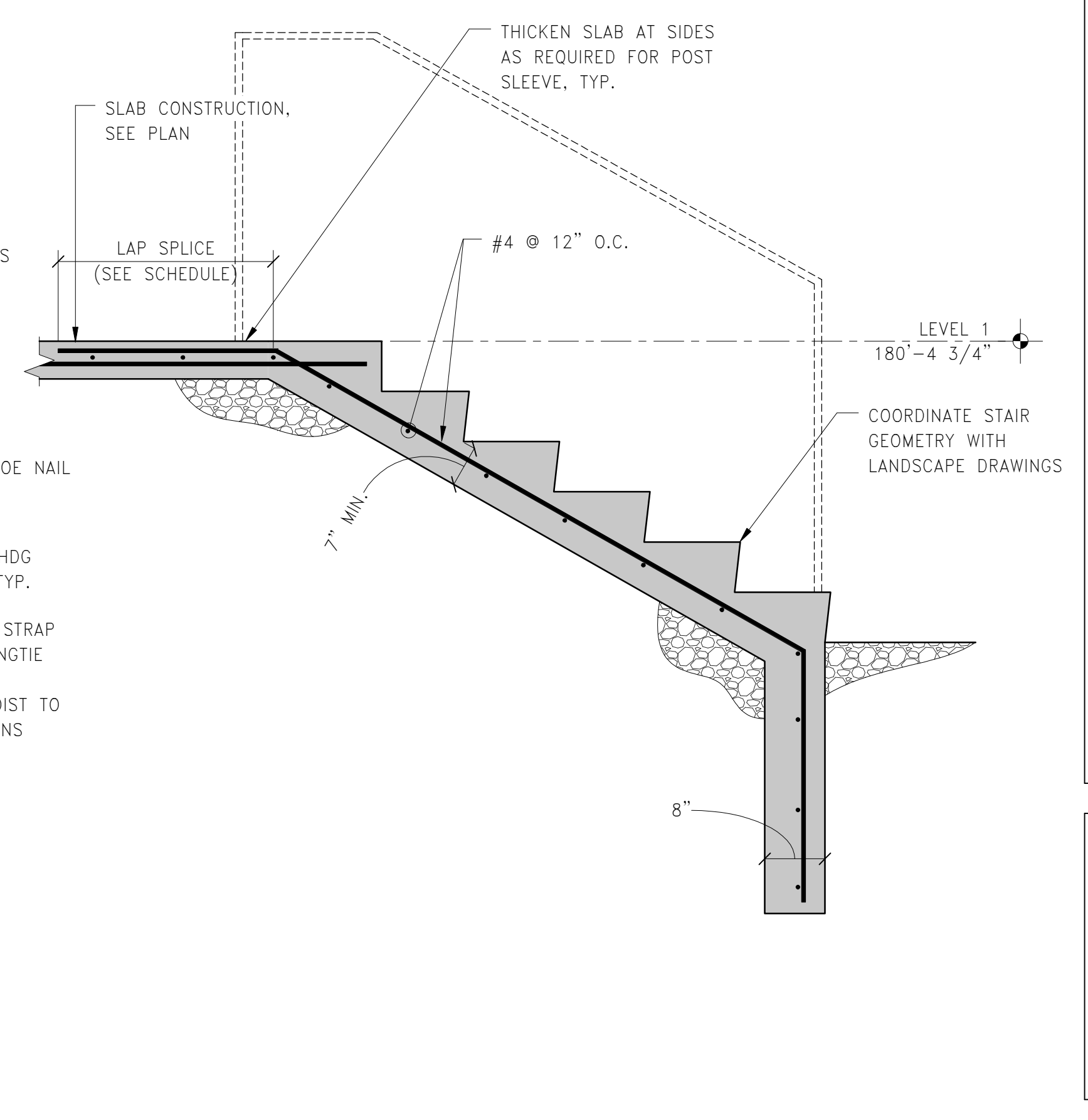


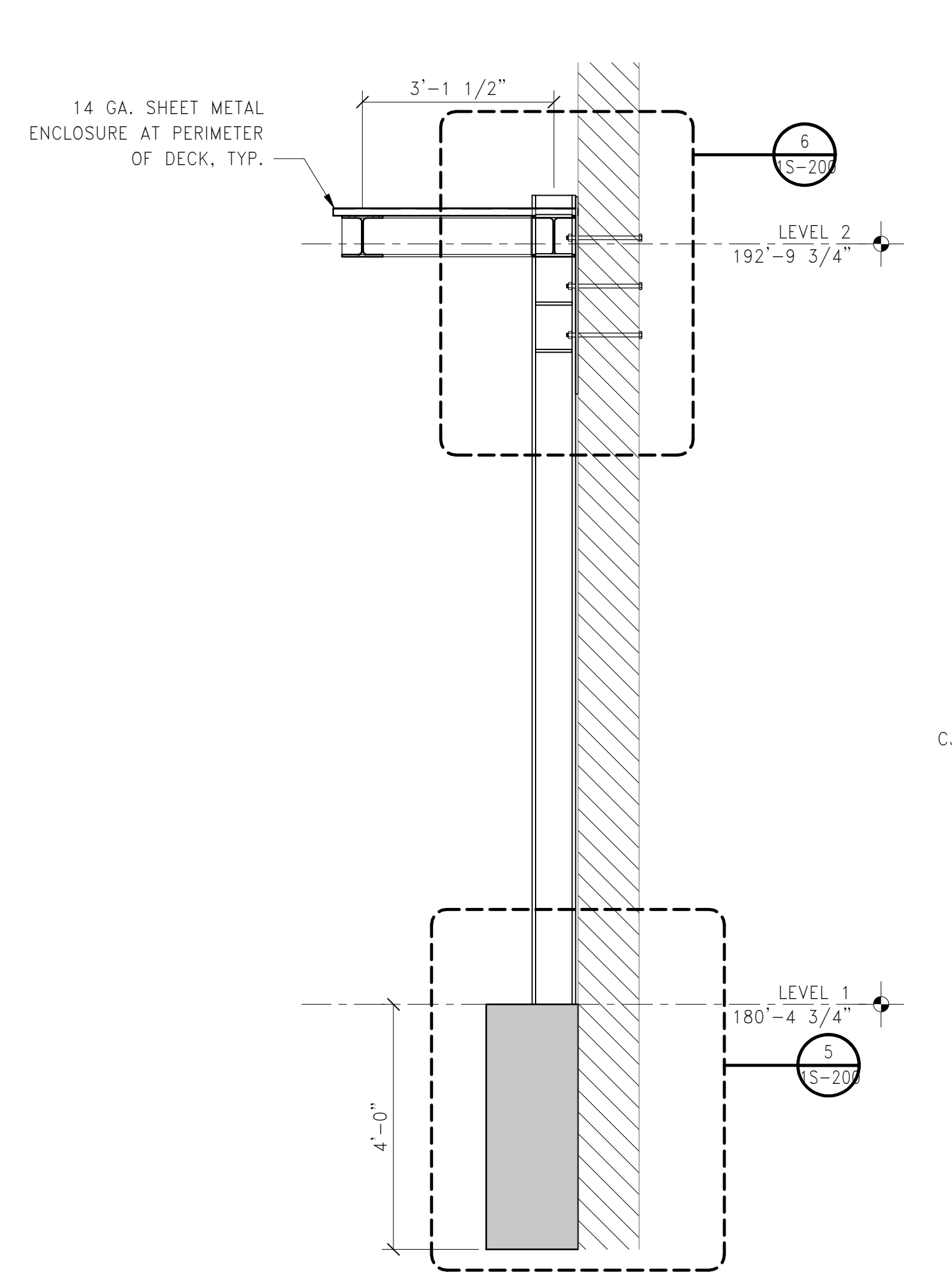
1 SECTION  
3/4" = 1'-0"



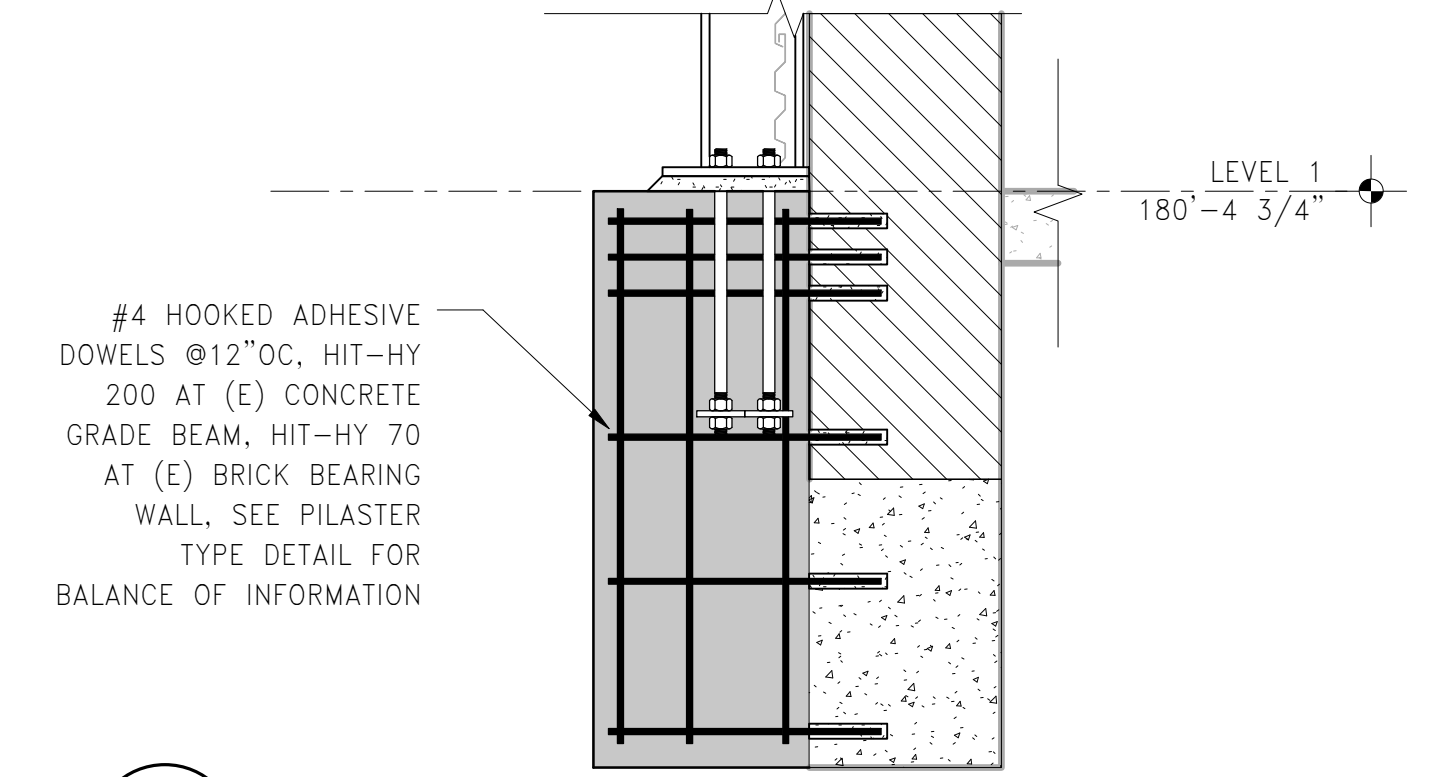
2 SECTION  
3/4" = 1'-0"



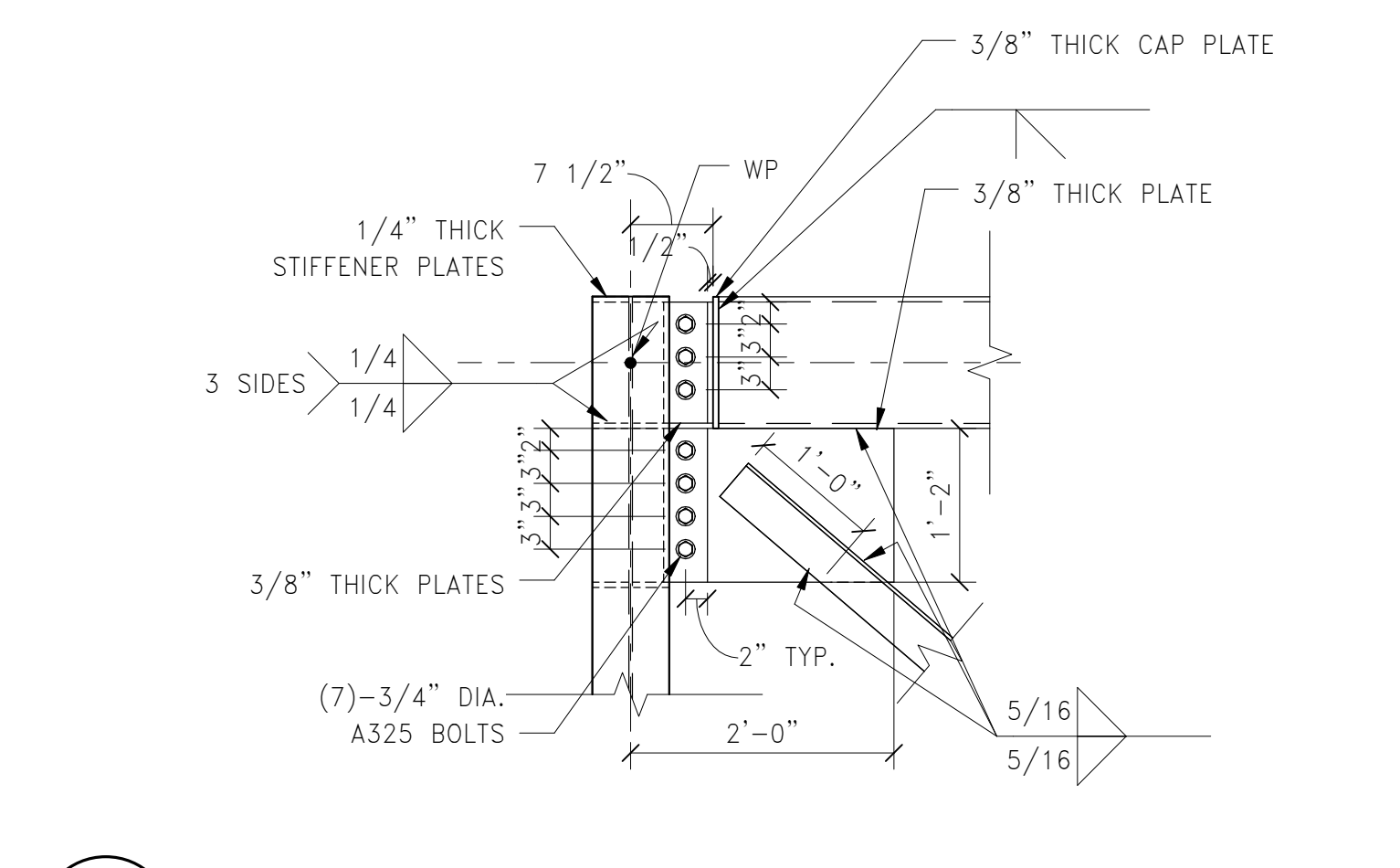
3 SECTION  
3/4" = 1'-0"



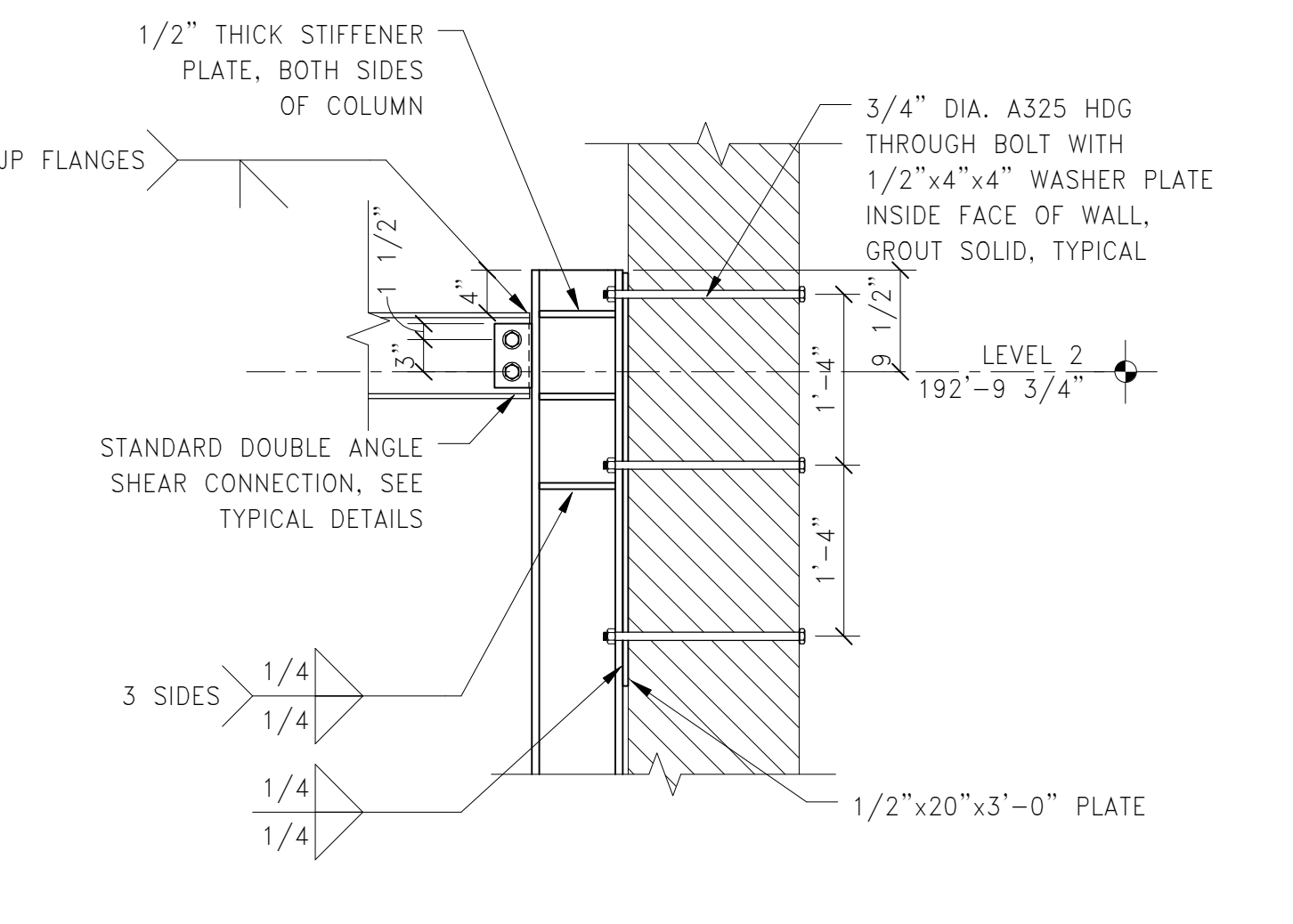
4 SECTION  
1/2" = 1'-0"



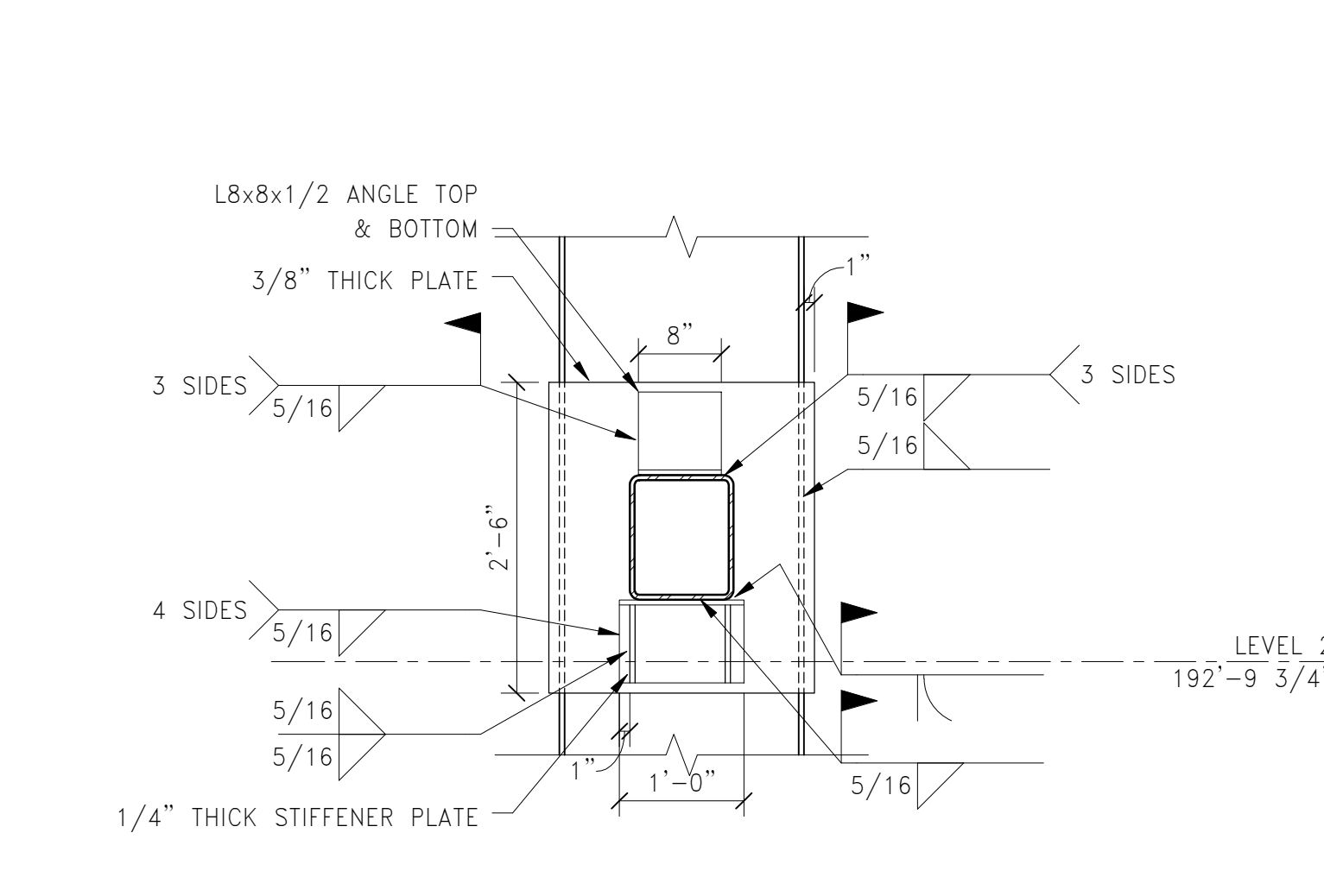
5 SECTION  
3/4" = 1'-0"



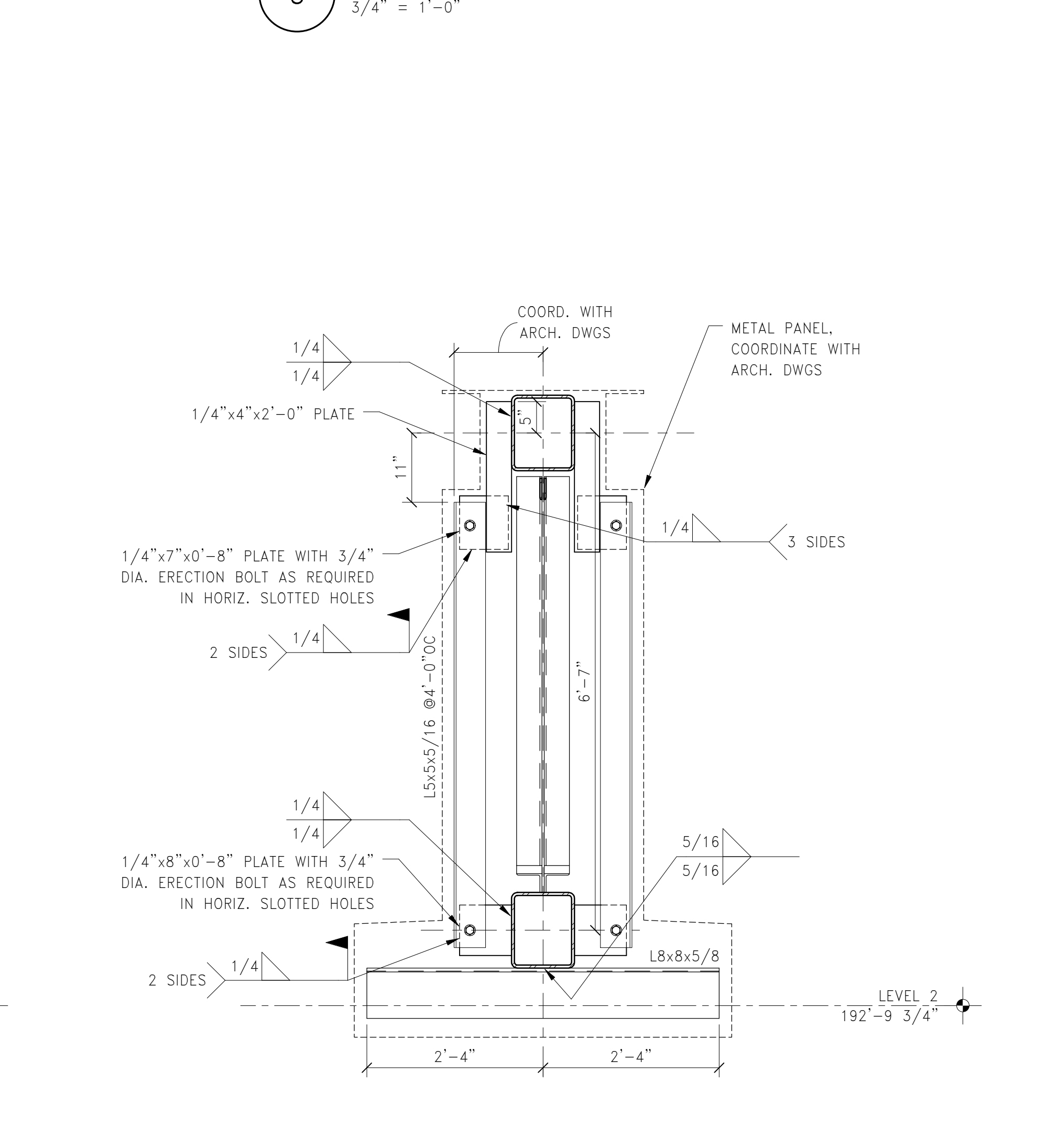
7 TOP CHORD CONNECTION  
3/4" = 1'-0"



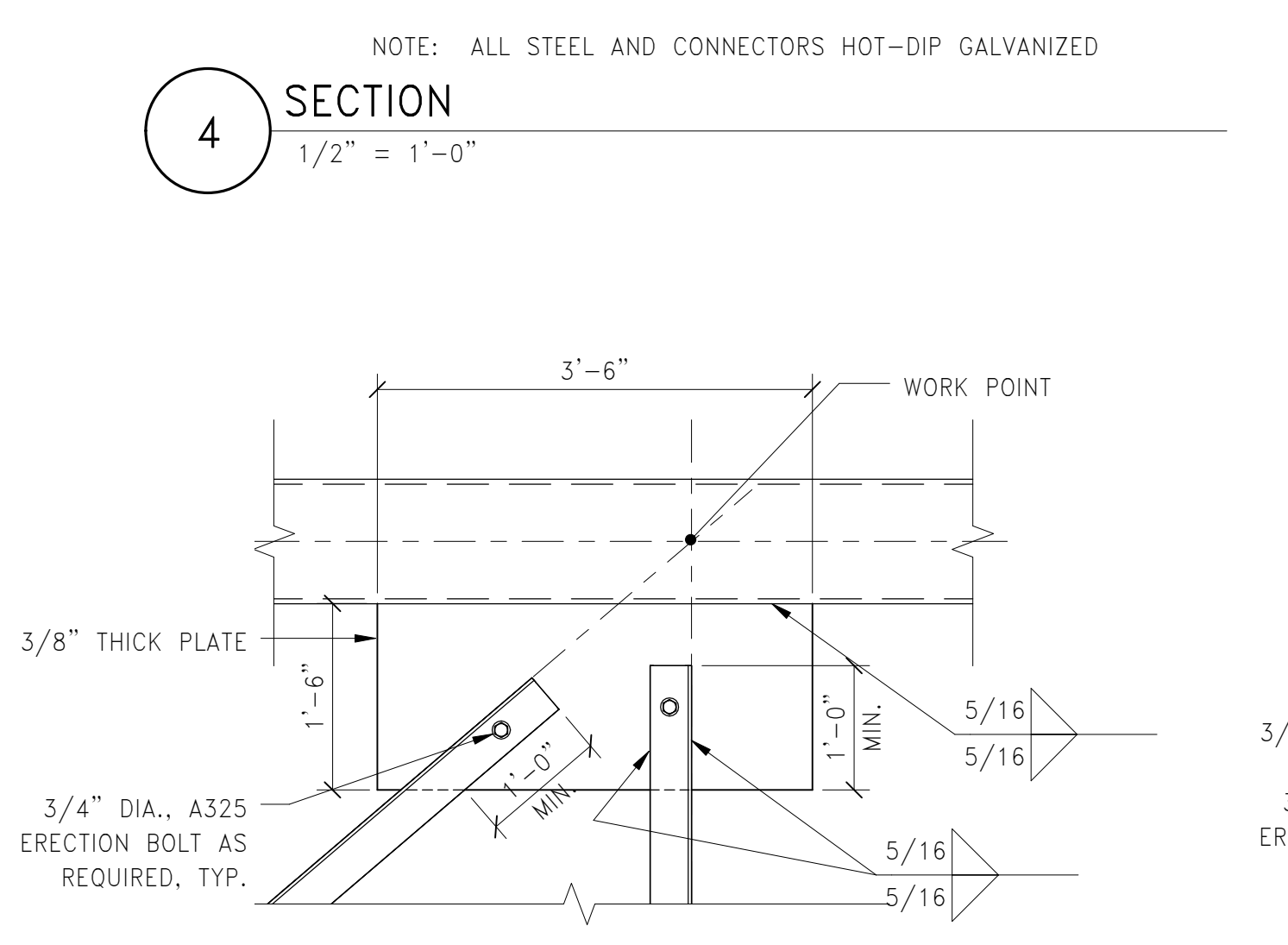
6 SECTION  
3/4" = 1'-0"



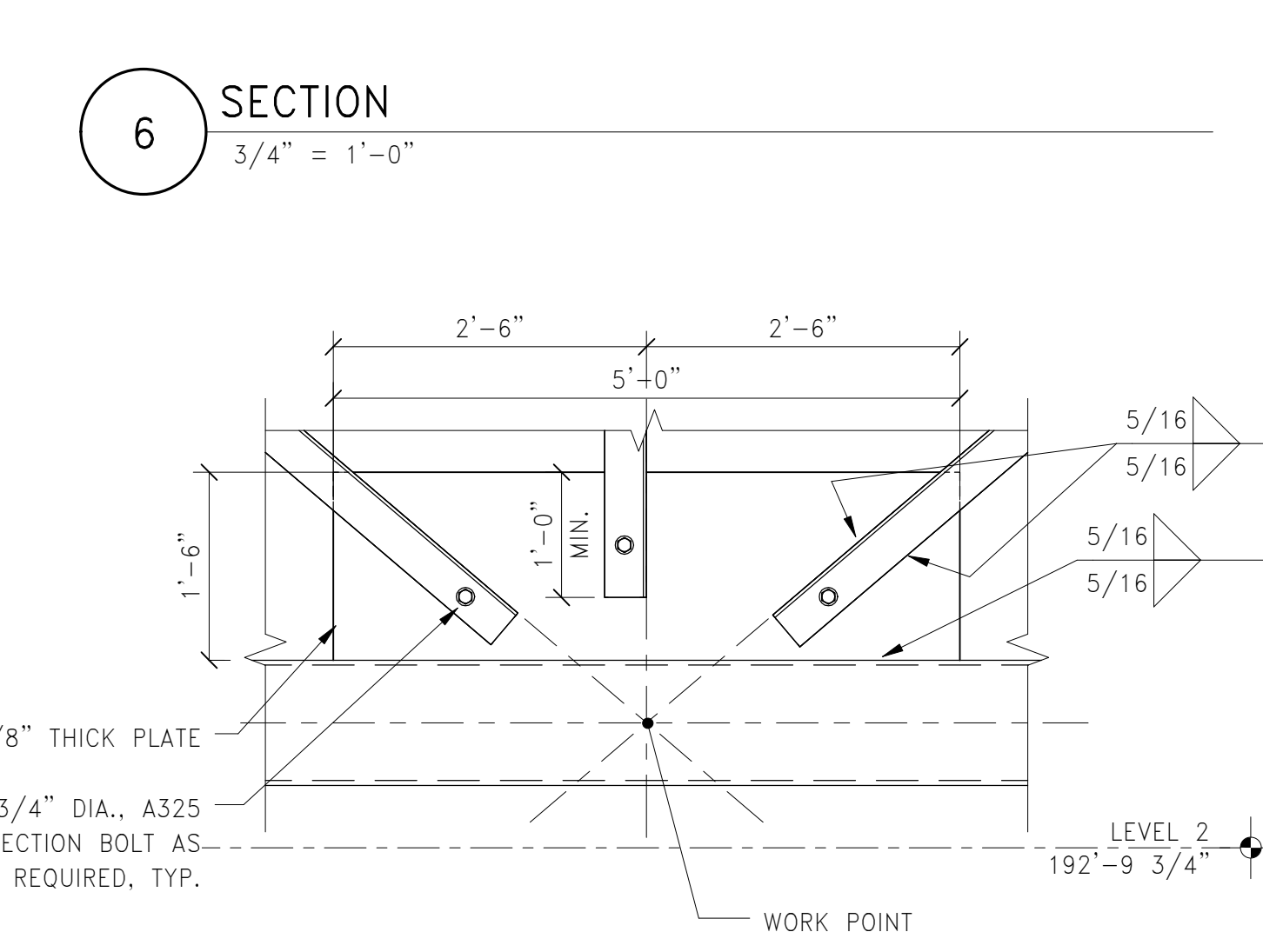
8 BOTTOM CHORD CONNECTION  
3/4" = 1'-0"



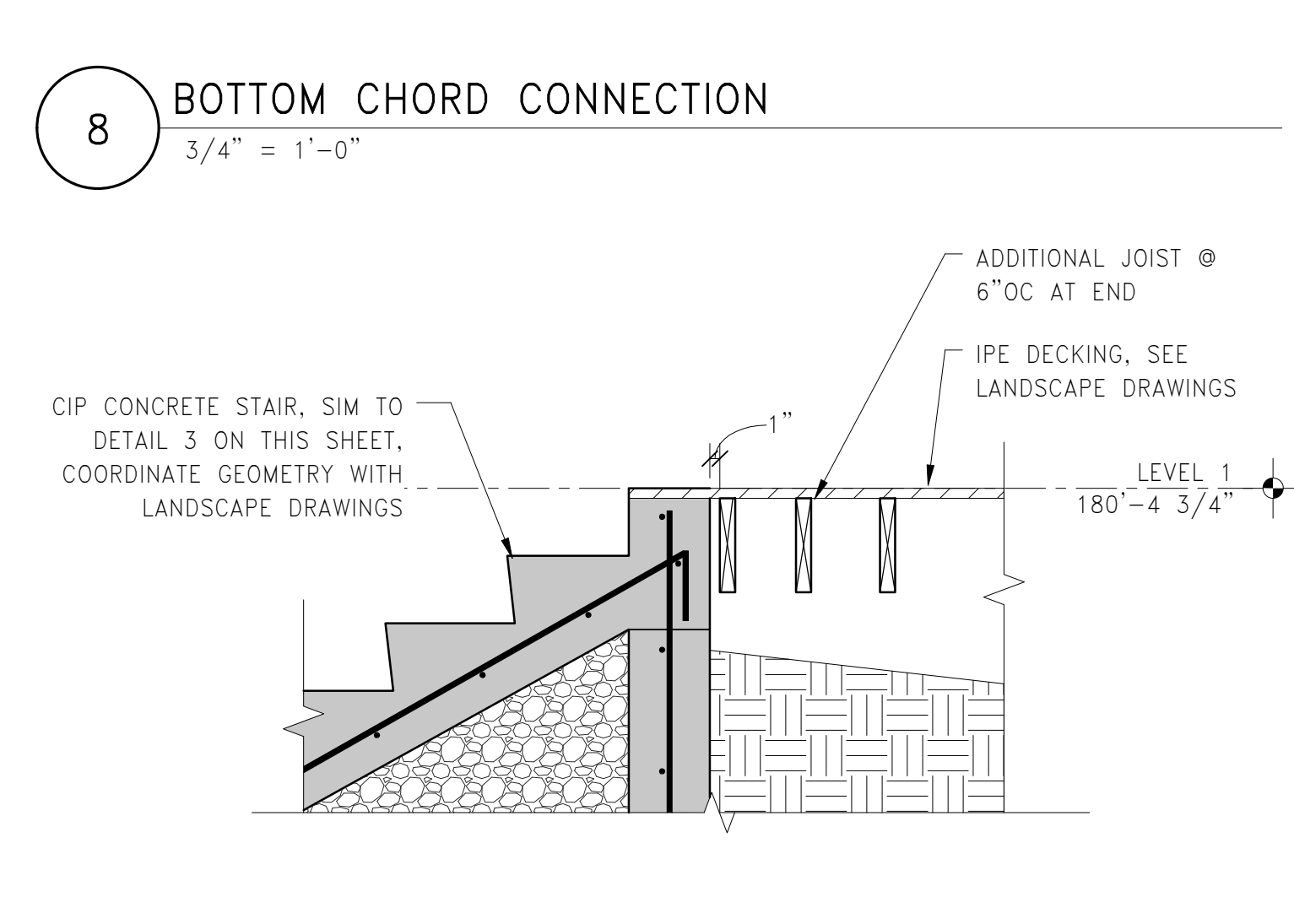
9 SECTION  
3/4" = 1'-0"



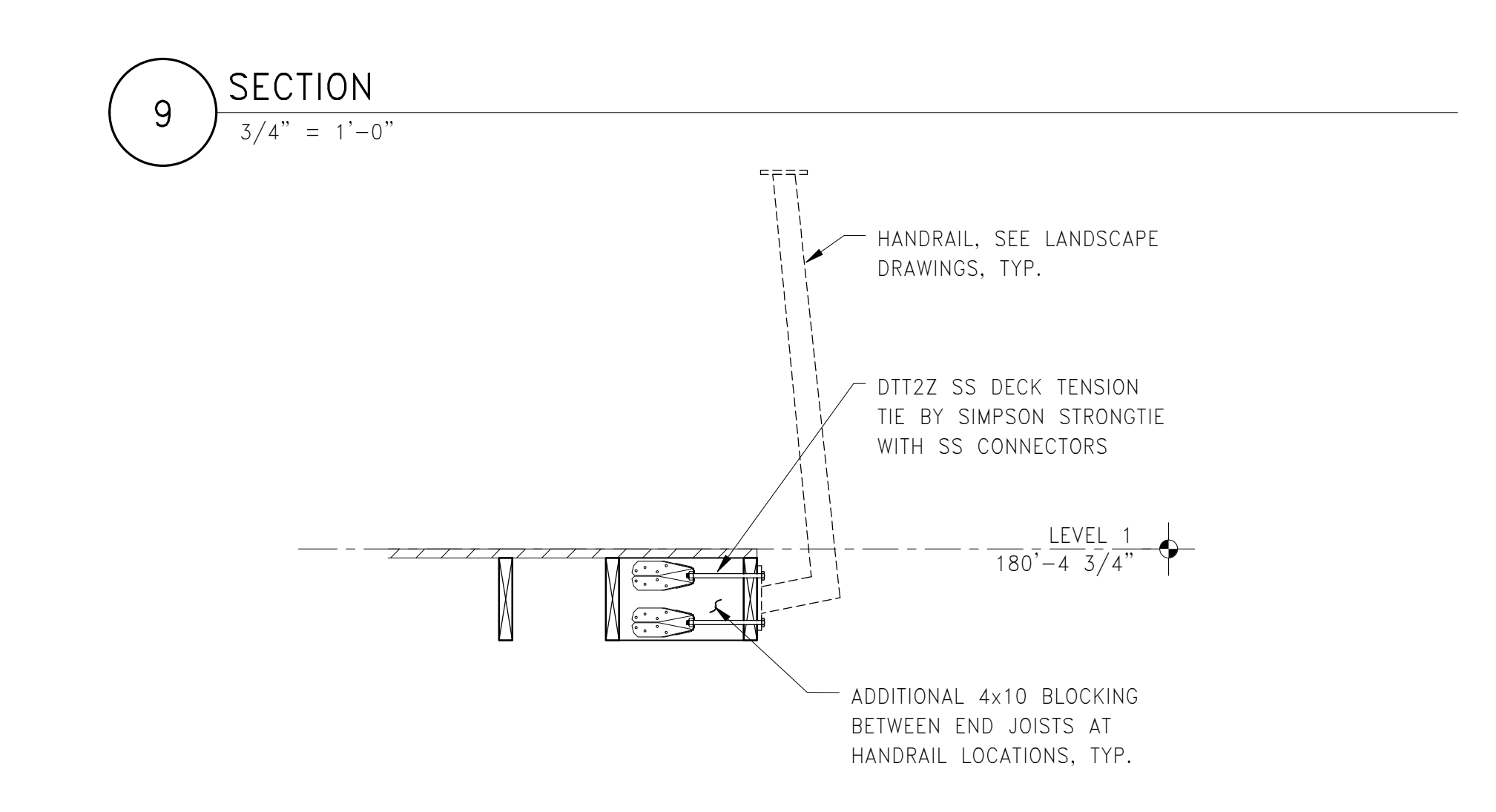
10 TYPICAL TRUSS CONNECTION  
3/4" = 1'-0"



11 TYPICAL TRUSS CONNECTION  
3/4" = 1'-0"



12 SECTION  
3/4" = 1'-0"



13 SECTION  
3/4" = 1'-0"

NOTE: ALL STEEL AND CONNECTORS HOT-DIP GALVANIZED

NOTE: METAL DECK NOT SHOWN FOR CLARITY

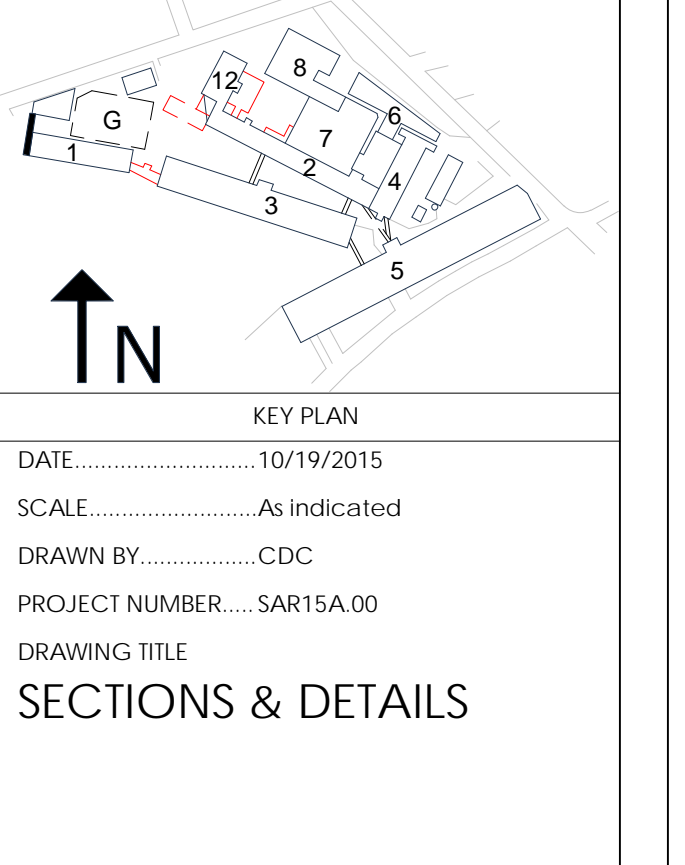
**MPA MARGULIES PERRUZZI ARCHITECTS**  
388 Congress Street | Boston, MA 02210 | 617.482.2322 | www.mpa-architects.com  
Design for the way you work.

**CLIENT INFORMATION**  
AS CLOCK TOWER  
OWNER, LLC c/o  
SARACEN  
PROPERTIES  
MILL & MAIN  
RENOVATION  
PHASE 1  
146 MAIN STREET  
MAYNARD, MA 01754

**CONSULTANT INFORMATION**  
SPECIFICATIONS  
KALIN ASSOCIATES  
ARCHITECTS  
100 WASHINGTON STREET, #2  
2 CLIFTON PLACE, SUITE 400  
BOSTON, MA 02108  
617.964.5177  
LIGHTING CONSULTANTS  
SLADEN FENSTEIN INTEG.  
250 WASHINGTON AVE. # 305  
BOSTON, MA 02111  
617.267.9500  
CIVIL ENGINEERS  
MCCABE ENGINEERS  
24 HARVARD AVE. 3RD FLOOR  
BOSTON, MA 02108  
617.538.0063  
LANDSCAPE DESIGN  
BROWN, RICHARDSON, & ROWE  
800 WASHINGTON AVE. # 305  
BOSTON, MA 02111  
617.542.8852  
GEOTECHNICAL CONSULTANT  
HALEY & ALDRICH, INC.  
405 MEDFORD STREET, SUITE 2000  
BOSTON, MA 02129  
617.850.7591  
MECHANICAL ENGINEERS  
MCCABE ENGINEERS  
24 HARVARD AVE. 3RD FLOOR  
BOSTON, MA 02108  
617.538.0063  
HARDWARE CONSULTANT  
CAMPBELL-MCCABE, INC.  
1 LOGAN SQUARE PLACE  
BOSTON, MA 02108  
781.899.8822  
STRUCTURAL ENGINEERS  
SIMPSON GUMPERTZ & HEGGER  
41 SEYON STREET, BLDG 1, SUITE 500  
WALTHAM, MA 02453  
978.957.9026

REVISIONS		
NUMBER	DESCRIPTION	DATE

STAMP



DATE: 10/19/2015  
SCALE: As Indicated  
DRAWN BY: CDC  
PROJECT NUMBER: SAR15A.00  
DRAWING TITLE: SECTIONS & DETAILS  
**1S-200**  
DRAWING NUMBER